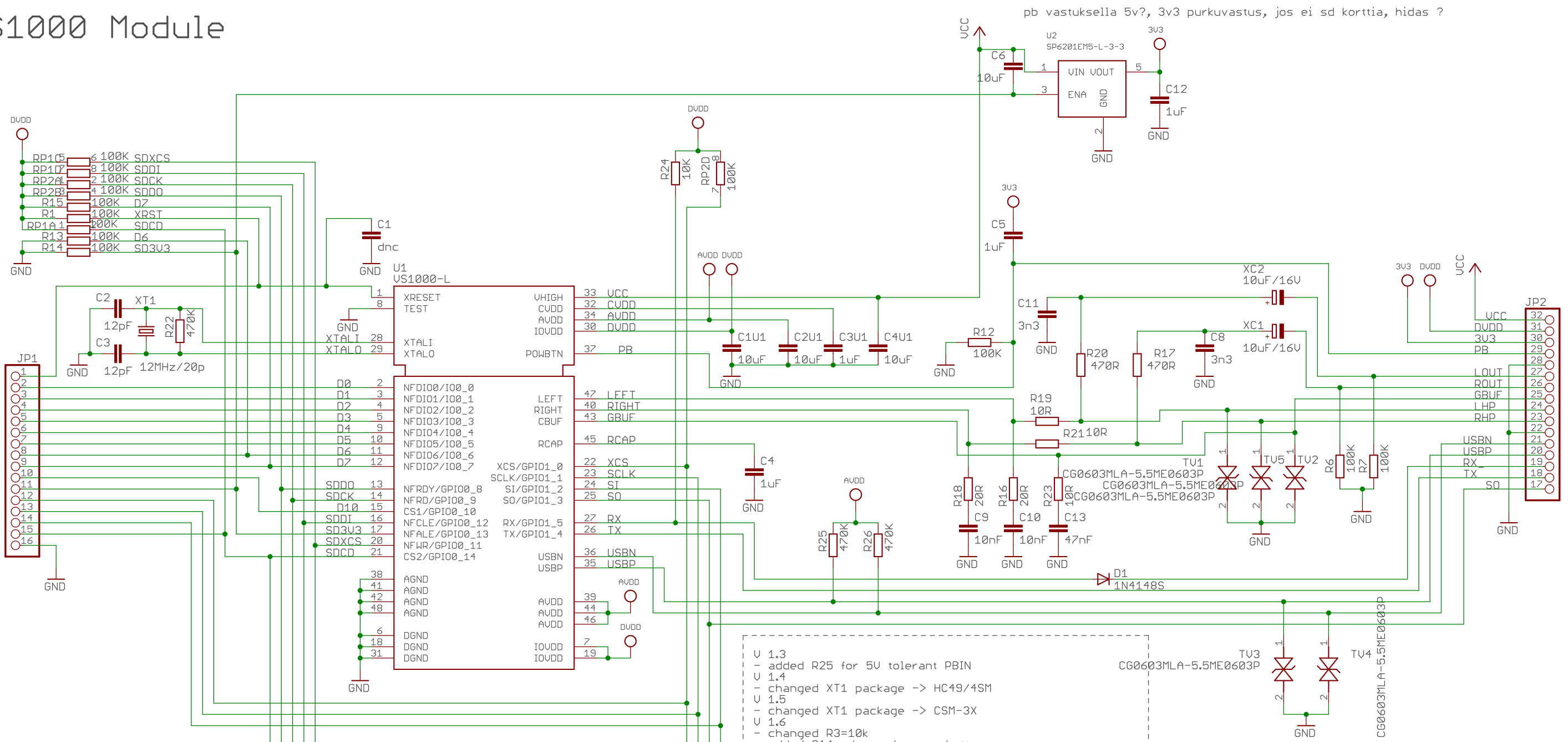


US1000 Module



- U 1.3 - added R25 for 5V tolerant PBIN
- U 1.4 - changed XT1 package -> HC49/4SM
- U 1.5 - changed XT1 package -> CSM-3X
- U 1.6 - changed R3=10k
- added C14, changed power button signal source to 3V3.
- added D1
- U 1.61 - changed C14=10uF
- changed C5,C8=22pF
- U 1.62 - changed 2014->2016
- U 1.63 - converted to eagle7
- changed R1, C5 ja C1 packages to standard ones
- U 1.64 - changed all 0402 and 0604 packages to standard ones
- fixed DRC errors, silkscreen cleanup
- U 1.7 - 2021
- reset capacitor, routing improved
- crystal components optimized
- BOM manufacturing optimizations
- v.1.75 Manufacturing improvements:
 - elcap moved
 - origin moved to 0,0
 - sd card connector origin and position adjusted
 - name change:
 - ic->u
 - elcap->xc
 - sd conector->xn

- v.1.76 - elcap package edited
- libraries merged to "audio_modules.lbr"
- v.1.77 - components renumbered
- v.1.78 - 8 resistors changed to resistor arrays
- v.1.79 - C1 -> dnc
- PCB markings improved
- v.1.80 - diode pad increased
- v.181 - 0402 pads decreased in audio_modules.lbr -> 0402P
- v.182 - 0603 pads decreased in audio_modules.lbr -> 0603P, 0603BRN

US1000 Module	
SK, AH / VLSI Solution Oy 2023	
TITLE: vs1kmod182	
Document Number:	REV: 1.81
Date: 11.5.2023 13.37	Sheet: 1/1