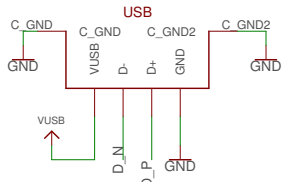
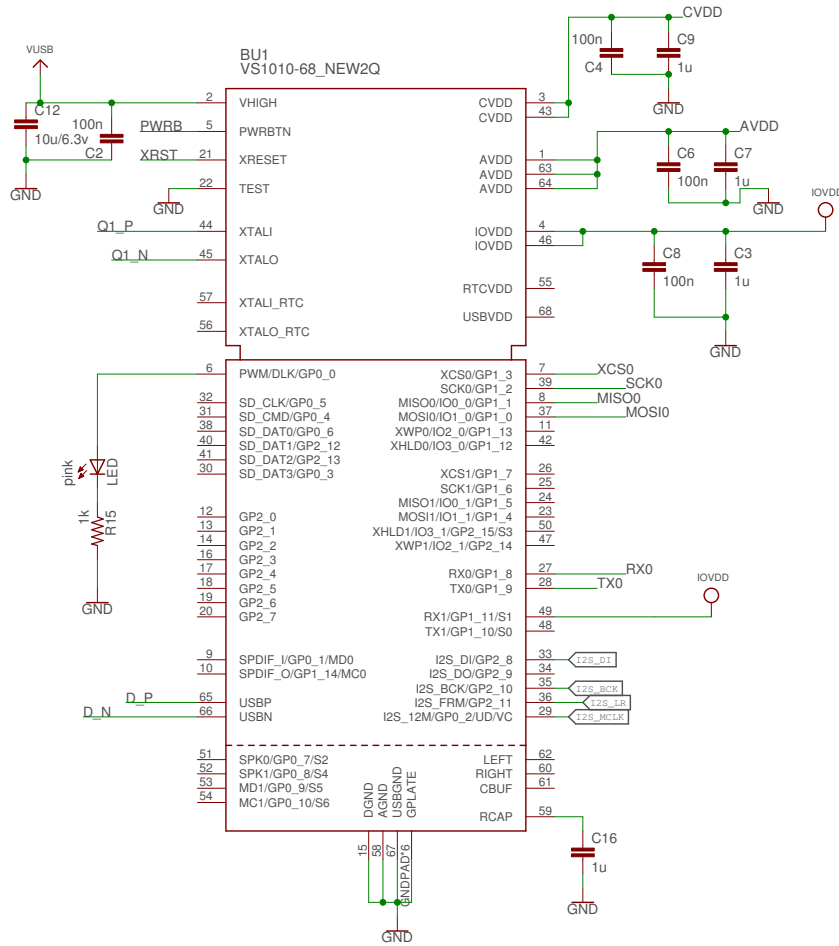


USB type A male plug

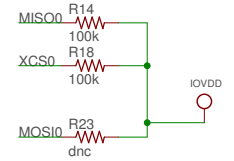


VS1010

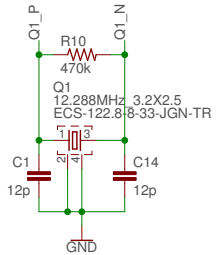


boot mode selection MODE 0

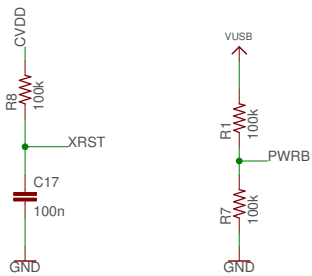
spi flash writer (MODE 4 optional)



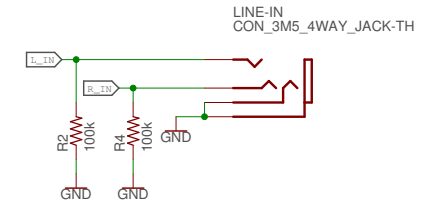
Crystal 12.288MHz



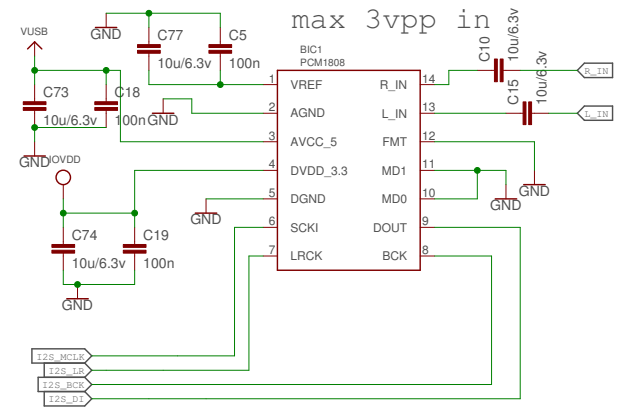
PWR latch-on and reset pull-ups



3.5mm line-in



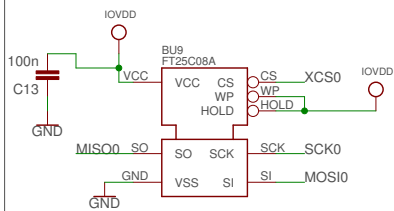
ADC PCM1808



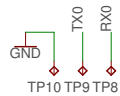
UART RX pull-ups



SPI Flash



UART test



changes from v10

VS1010_USB_ADC_v10	
20.10.2023 10.00	
Sheet: 1/1	